



# Small Dial Gauge KM 4/5 S

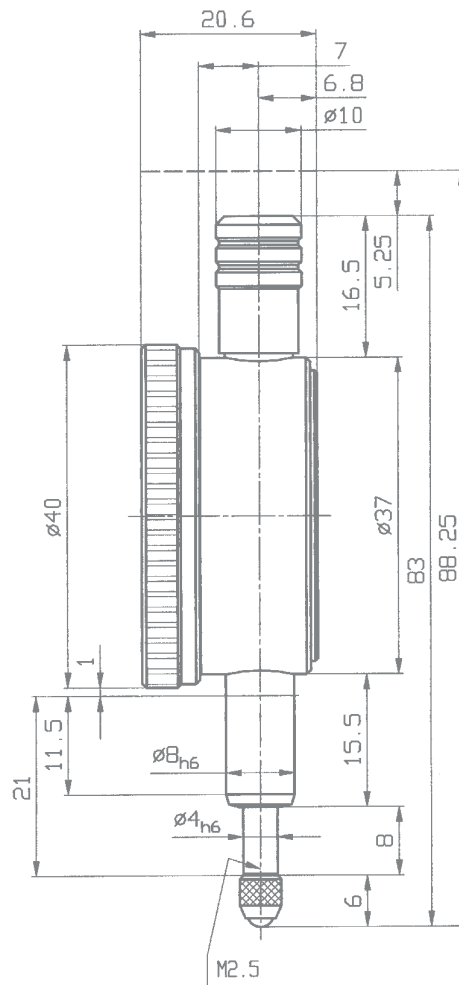
shockproof

Except for the longer measuring range all technical features of the Small Dial Gauge KM 4/5 S are the same as for model KM 4 S.

All details of this Small Dial Gauge conform to DIN EN ISO 463 / DIN 878. This applies not only to the outside dimensions but also to allowed tolerances.

Spindle and stem are made of resistant stainless steel. The spindle is lapped.

Small Dial Gauge KM 4/5 S shockproof	
Reading	0.01 mm
Range	5 mm
Range per revolution	0.5 mm
Bezel-Ø	40 mm
Stem-Ø	8 h 6
Dimensions and accuracy according to DIN EN ISO 463 / DIN 878	
Initial measuring force	0.9 N ± 20%
Dimensioned drawing	page 31
Data sheet to DIN EN ISO 463	www.kaefer-messuhren.de



Special fittings:

