

## WHEEL DATA SHEET FOR STANDARD WHEELS

ORDER  
 INQUIRY

WHEEL SIZE: \_\_\_\_\_ TIRE SIZE: \_\_\_\_\_

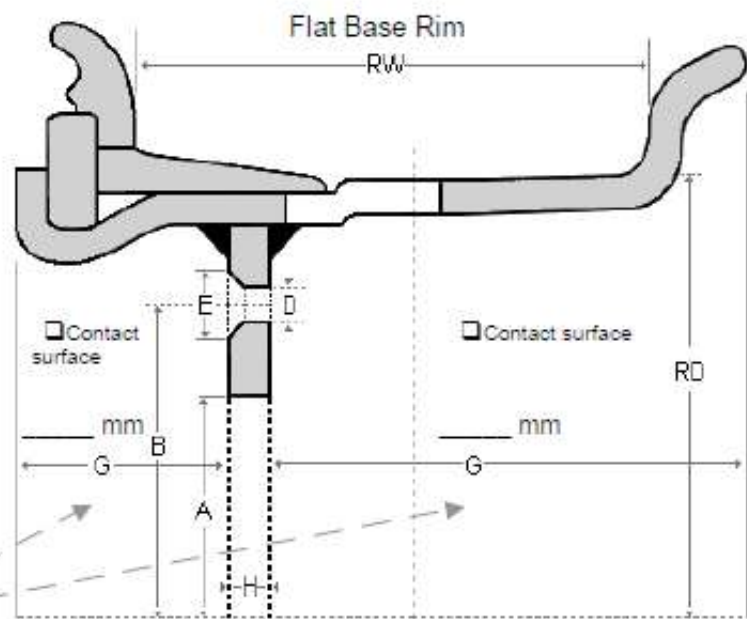
Type of rim:  Drop centre  2 piece  3 piece  4 piece  5 piece  
 Pneumatic  Resilient  without components  with components

Quantity: \_\_\_\_\_ Model type: \_\_\_\_\_ Wheel Number: \_\_\_\_\_  
Part - Number: \_\_\_\_\_

Inch:    mm:

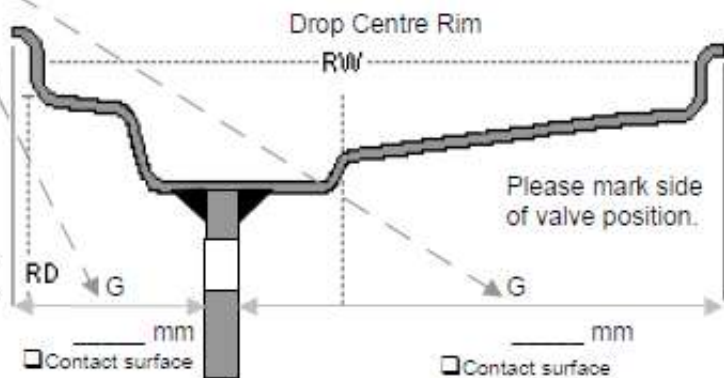
<input type="checkbox"/> RW	Rim width:	_____	---
<input type="checkbox"/> RD	Rim diameter:	_____	∅ ---
<input type="checkbox"/> H	Nave thickness:	_____	---
<input type="checkbox"/> A	Centre hole:	_____	∅ _____
<input type="checkbox"/> B	Pitch circle diameter:	_____	∅ _____
<input type="checkbox"/> C	Number of holes:	_____	# _____
<input type="checkbox"/> D	Hole dia:	_____	∅ _____
<input type="checkbox"/> E	Countersink dia.:	_____	∅ _____
<input type="checkbox"/> G	Please mark nave position:	_____	

As a reference point please take gutter side or fixed flange side.



Remarks:

-----  
-----



Countersink form:			Single or Double:	
Spherical	Conical	Flat	A	or B
<input type="checkbox"/>	<input type="checkbox"/>	<input type="checkbox"/>	<input type="checkbox"/>	<input type="checkbox"/>
